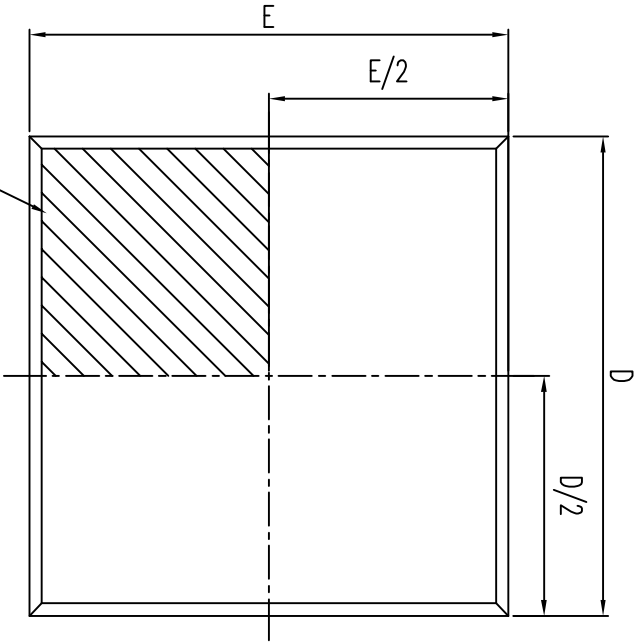
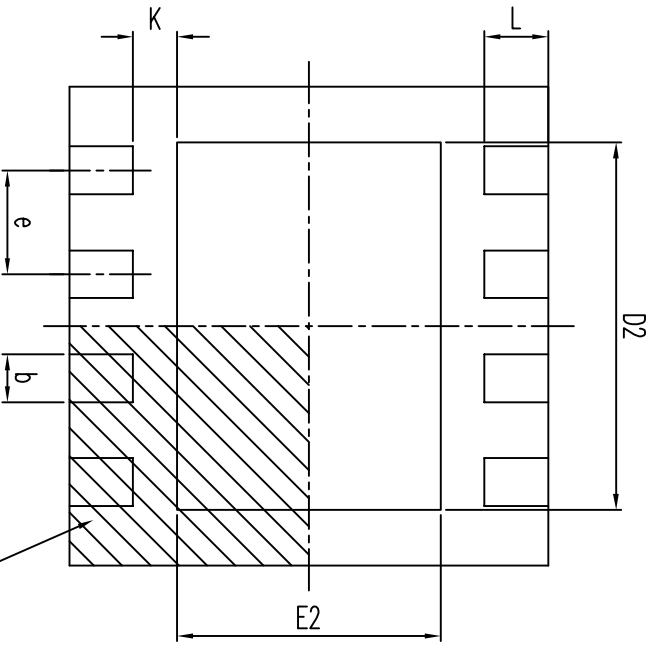


REV.	DESCRIPTION	BY	DATE
ORIG.	DRAWING ISSUE	SANDY CHEN	12.18.2014

TOP VIEW



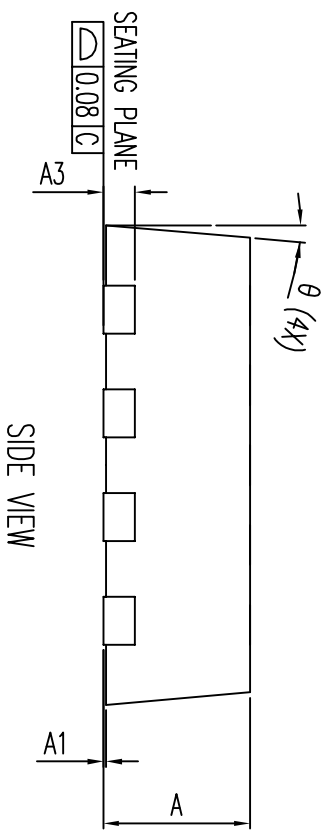
BOTTOM VIEW



SYMBOL	DIMENSION IN MM		
	MIN.	NOM.	MAX.
A	0.80	0.90	1.00
A1	0	0.02	0.05
A3	0.20 REF.		
D	3.00 BASIC		
D2	1.60		2.50
E	3.00 BASIC		
E2	1.35		1.75
e	0.65 BASIC		
b	0.25	0.30	0.35
L	0.30	0.40	0.50
K	0.20		
θ	0°		14°
JEDEC	MO-229 (Variation V3030C-2)		

TERMINAL #1
INDEX AREA
(D/2 X E/2)

TERMINAL #1
INDEX AREA
(D/2 X E/2)



CWT Chant World Technology Inc.		ANGULAR ±	
TITLE VDFN 8L PACKAGE OUTLINE BODY SIZE : 3 X 3 X 0.85 MM		ROUGH- NESS SCALE 30 : 1	
DESIGNED	SANDY CHEN 12.18.2014	UNIT	QTY
CHECKED	SANDY CHEN 12.18.2014	FILE NAME	: VDFN8L(3x3x0.85)
APPROVED	SANDY CHEN 12.18.2014	DWG. NO.:	CW-PJ-002A
			A3